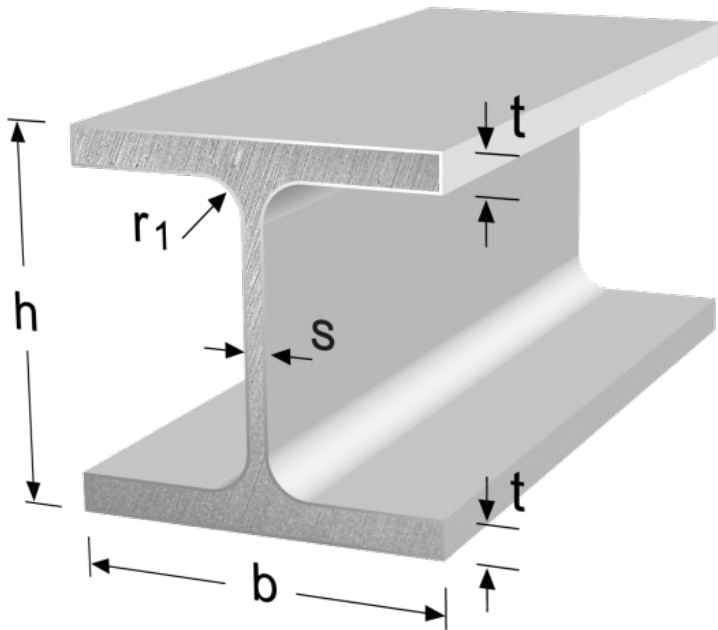


## HEB PROFILES

It is called as structural profile that can withstand heavy loads.

No matter how it is generally used to carry vertical gravity force, it is also used to carry horizontal loads.

It is generally preferred in civil engineering, truck construction, heavy machinery and heavy duty works.



**HEB DEMİRLERİ**

ANMA ADI	EBATLAR ( h x b )	GÖVDE (tw) KALINLIĞI	YANAK (tf) KALINLIĞI	KÖŞE (r) KALINLIĞI	AĞIRLIK
(mm.)	(mm.)	(mm.)	(mm.)	(mm.)	(Kg./Mt.)
100 HEB	100x100	6	10	12	20,4
120 HEB	120x120	6,5	11	12	26,7
140 HEB	140x140	7	12	12	33,7
160 HEB	160x160	8	13	15	42,6
180 HEB	180x180	8,5	14	15	51,2
200 HEB	200x200	9	15	18	61,3
220 HEB	220x220	9,5	16	18	71,5
240 HEB	240x240	10	17	21	83,2
260 HEB	260x260	10	17,5	24	93
280 HEB	280x280	10,5	18	24	103
300 HEB	300x300	11	19	27	117
320 HEB	320x300	11,5	20,5	27	127
340 HEB	340x300	12	21,5	27	134
360 HEB	360x300	12,5	22,5	27	142
400 HEB	400x300	13,5	24	27	155
450 HEB	450x300	14	26	27	171
500 HEB	500x300	14,5	28	27	187
550 HEB	550x300	15	29	27	199
600 HEB	600x300	15,5	30	27	212
650 HEB	650x300	16	31	27	225
700 HEB	700x300	17	32	27	241
800 HEB	800x300	17,5	33	30	262
900 HEB	900x300	18,5	35	30	291
1000 HEB	1000x300	19	36	30	314